

More information on this product can be found at: <http://bit.ly/SH510R4>
 更多本產品資訊，請查閱：<https://bit.ly/SH510R4>
 Weitere Informationen zu diesem Produkt finden Sie unter: <https://bit.ly/SH510R4>
 Pour plus d'informations sur ce produit, visitez: <https://bit.ly/SH510R4>

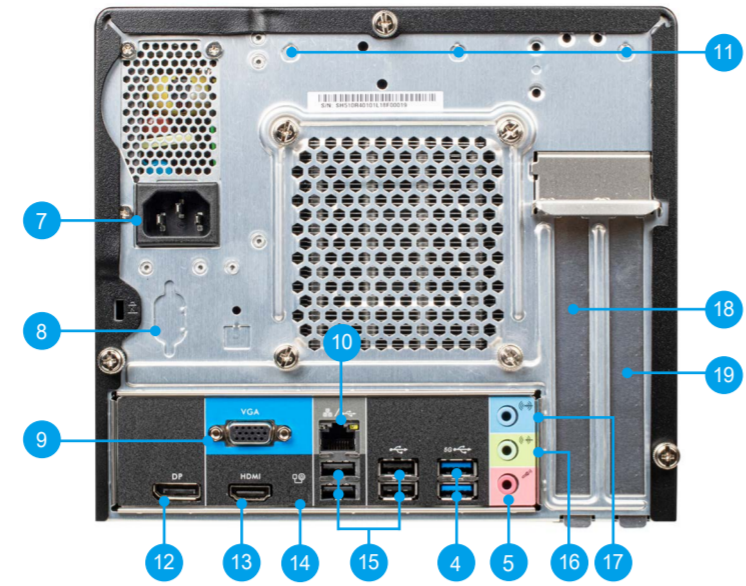
Puede encontrar más información sobre este producto en: <https://bit.ly/SH510R4>
 本製品の詳細な情報については、次の URL より確認頂けます。<https://bit.ly/SH510R4>
 Для получения дополнительной информации об этом продукте перейдите по ссылке: <https://bit.ly/SH510R4>
 更多本产品信息，请访问：<https://bit.ly/SH510R4>

Product Overview

產品外觀 / Produktübersicht / Présentation du produit / Resumen del producto / 製品概要 / Обзор продукта / 产品外观



- 1. 5.25" Bay
- 2. Hard disk drive LED
- 3. Power button / Power LED
- 4. USB 3.2 Gen 1 ports
- 5. Microphone jack
- 6. Headphones
- 7. AC power socket
- 8. Serial port (optional)
- 9. VGA port
- 10. LAN port



- 11. Perforation for optional WLAN
- 12. DisplayPort
- 13. HDMI port
- 14. Clear CMOS & Power Button & +5V
- 15. USB 2.0 ports
- 16. Line-out port
- 17. Line-in port
- 18. PCIe x16 slot
- 19. PCIe x1 slot

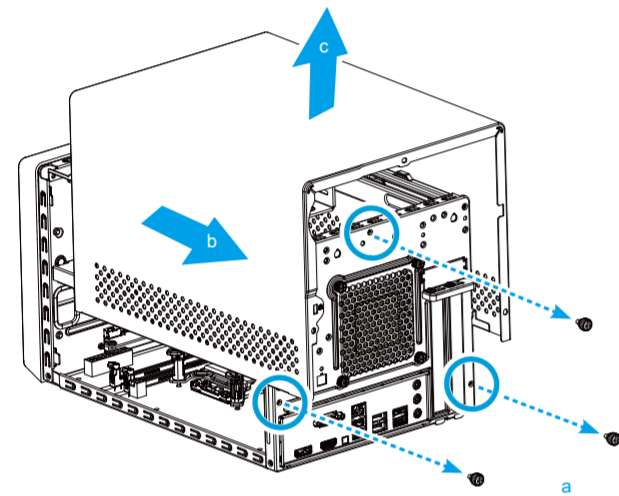
Hardware Installation

硬體安裝 / Hardware Installation / Installation du matériel / Instalación de hardware / ハードウェアのインストール / Установка оборудования / 硬件安装

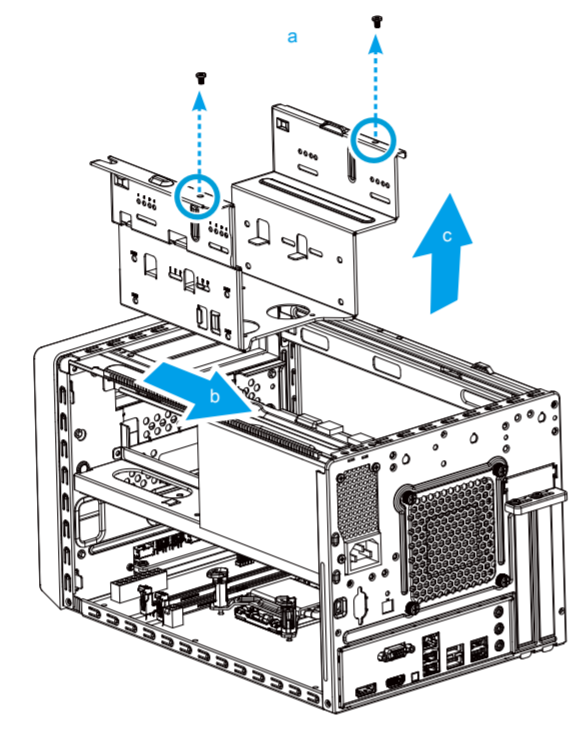
A. Begin Installation

For safety reasons, please ensure that the power cord is disconnected before opening the case.

- Unscrew 3 thumbscrews of the chassis cover.
- Slide the cover backwards and upwards.



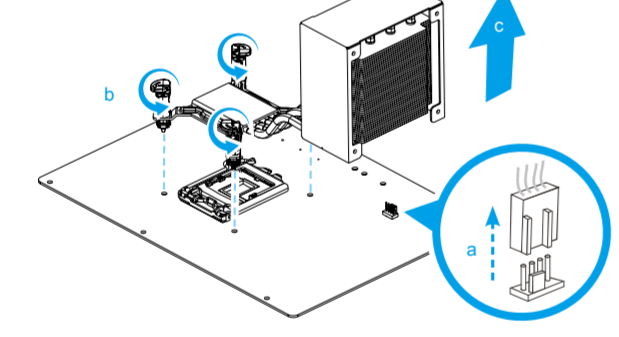
- Unfasten the rack mount screws and remove the rack.



The product's colour and specifications may vary from the actually shipped product.

B. CPU and ICE Module Installation

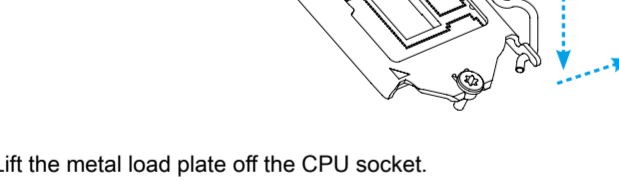
- Unfasten the ICE fan thumbscrews on the back of the chassis.
- Unfasten the four ICE module attachment push-pins and unplug the fan connector.



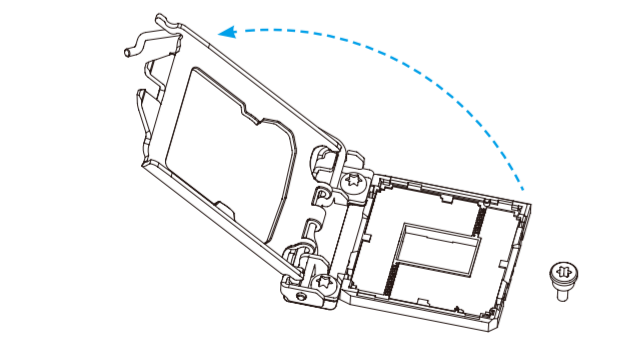
This CPU socket is fragile and can easily be damaged. Always use extreme care when installing a CPU and limit the number of times you remove or change the CPU. Before installing the CPU, make sure to turn off the computer and unplug the power cord from the power outlet to prevent damage of the CPU.

Follow the steps below to correctly install the CPU into the motherboard CPU socket.

- Unlock and raise the socket lever.

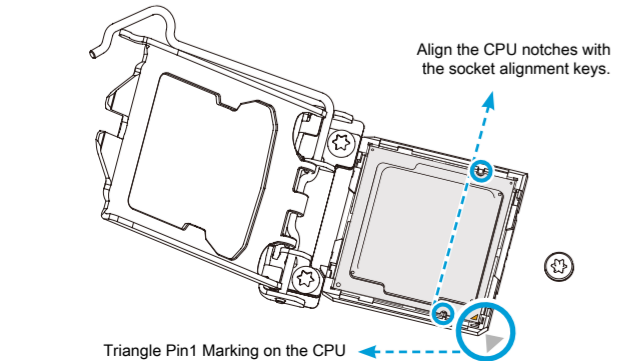


- Lift the metal load plate off the CPU socket.



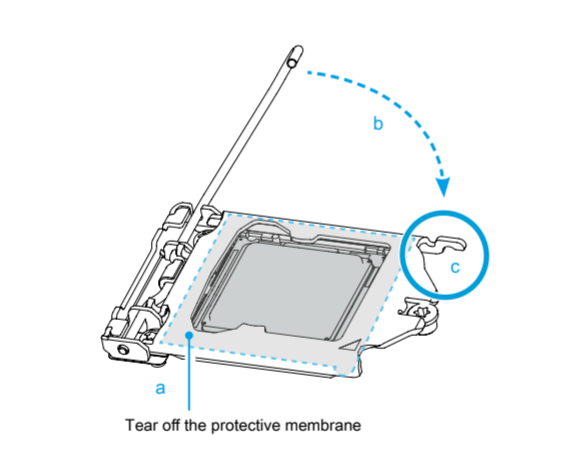
DO NOT touch the socket contacts. To protect the CPU socket, always use the protective socket cover when the CPU is not installed.

- Please orientate the CPU correctly and align the CPU notches with the socket alignment keys. Make sure the CPU sits perfectly horizontal, then push it gently into the socket.

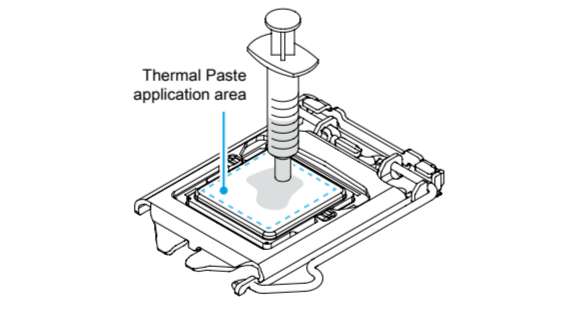


Please be aware of the CPU orientation, DO NOT force the CPU into the socket to avoid bending of pins on the socket and damage of CPU!

- Tear off the protective membrane from the metal load plate. Close the metal load plate, lower the CPU socket lever and lock in place.

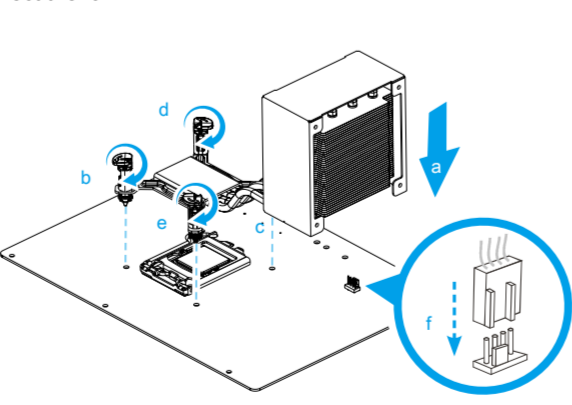


- Spread thermal paste evenly on the CPU surface.

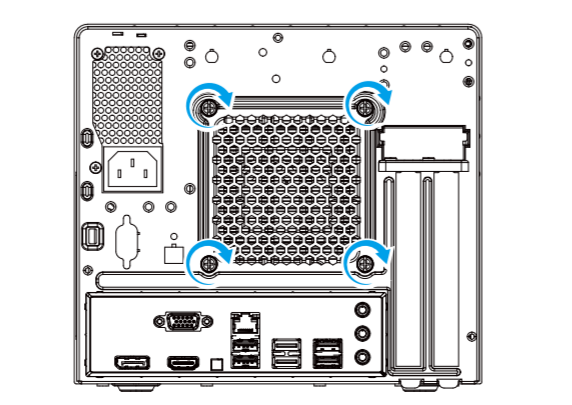


Please do not apply excess amount of thermal paste.

- Screw the ICE module to the motherboard. Note to press down on the opposite diagonal corner while tightening each push-pin.
- Connect the fan.



- Tighten the Smart Fan to the chassis with the four thumbscrews.



C. Memory Module Installation

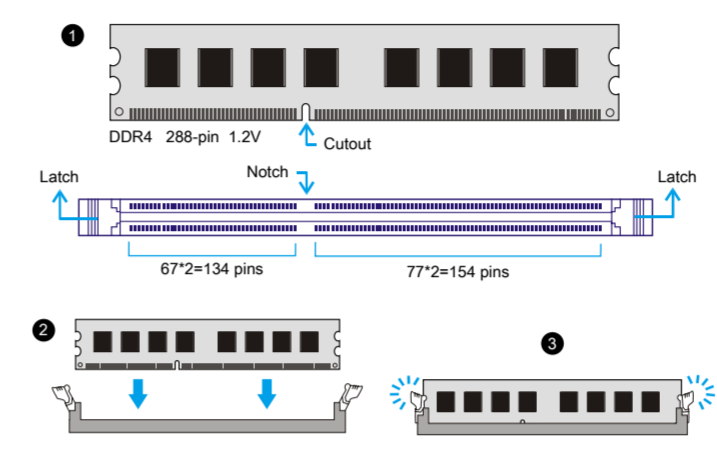
- Guidelines for Memory Configuration
 Before installing DIMMs, read and follow these guidelines for memory configuration.

Make sure that the motherboard supports the memory. It is recommended that memory of the same capacity, brand, speed, and chips is used. (Go to Shuttle's website for the latest memory support list.) Memory modules have a foolproof design. A memory module can be installed in only one direction. If you are unable to insert the module, reverse direction.

- Installing memory modules
 DDR4 and DDR3/DDR2 DIMMs are not compatible to one another or other DDR DIMMs.
 Be sure to install DDR4 DIMMs on this motherboard only. Follow the steps below to correctly install your memory modules in the memory sockets.

- Unlock the DIMM latch.
- Align the memory module's cutout with the notch of the DIMM slot. Slide the memory module into the DIMM slot.

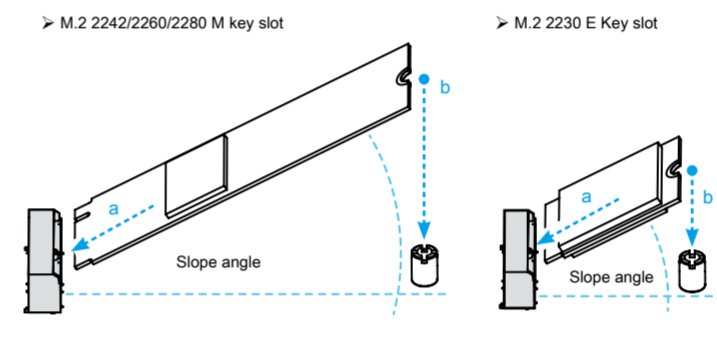
A DDR4 memory module has a cutout, so it only fits in one direction.



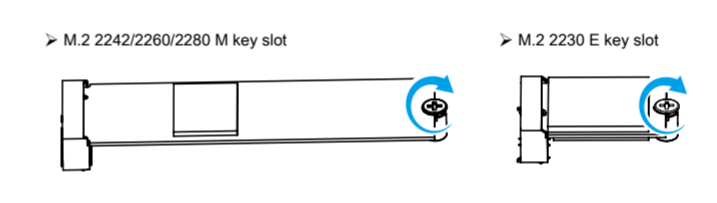
- Check if the latches are closed and if all memory modules are firmly installed.
- Repeat the above steps to install an additional memory module, if required.

D. M.2 Device Installation

- Locate the M.2 key slots on the motherboard.

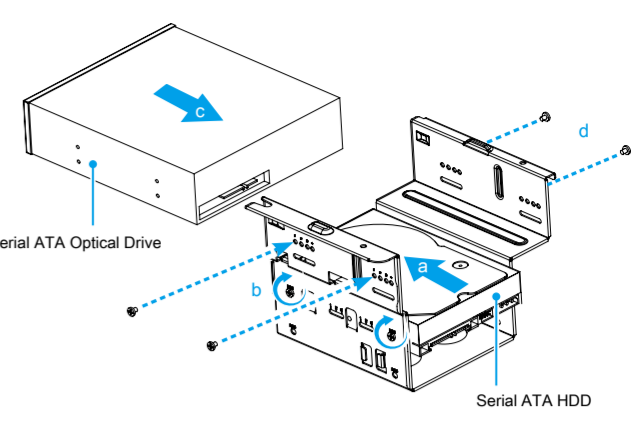


- Install the M.2 device into the M.2 slot and secure with a screw.



E. Installation of Drives

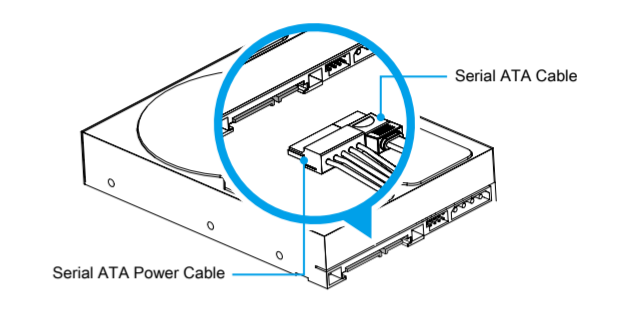
- Loosen the purse lock and separate the Serial ATA and power cables.
- Please place the HDD or SSD and the optical drive in the rack and secure with screws from the sides.



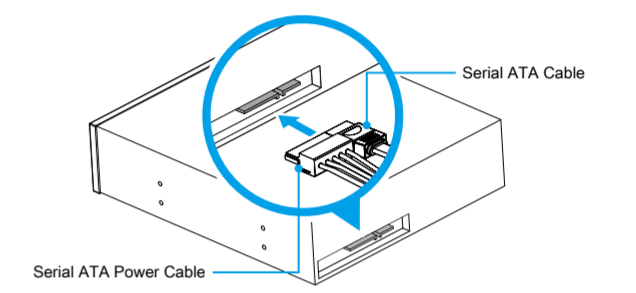
- Connect the Serial ATA cable to the motherboard.



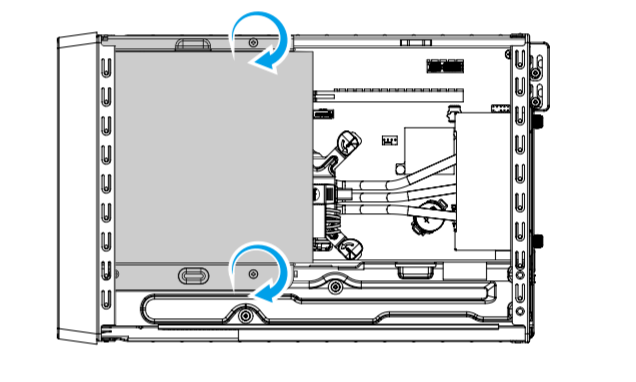
- Connect the Serial ATA and power cables to the HDD.



- Connect the Serial ATA and power cables to the optical drive.



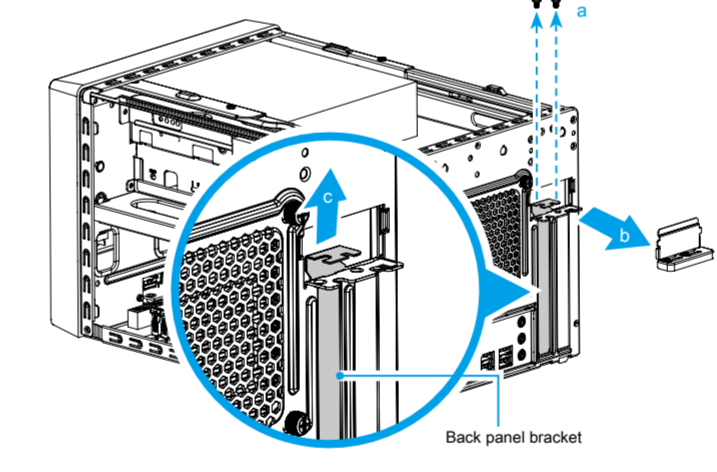
- Place the rack in the chassis and refasten the rack.



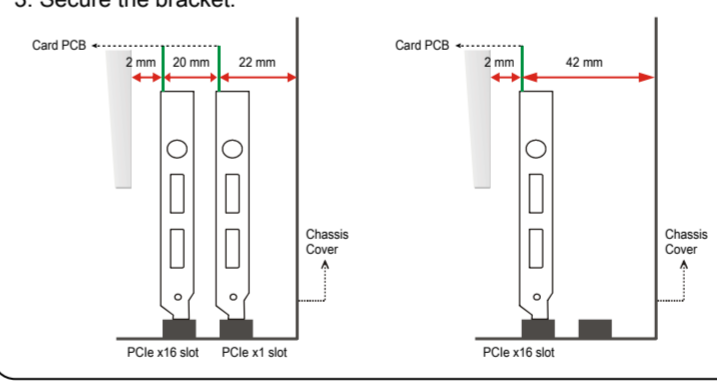
F. Installation of Expansion Cards

- Unfasten the expansion slot bracket screws. Remove the back panel bracket and put it aside.

The maximum size acceptable for display cards is 273mm (L) x 98mm (H) x 38mm (D).



- Install the PCIe x1 / PCIe x16 card into the PCIe x1 / PCIe x16 slots.
- Secure the bracket.



Safety Information

Incorrectly replacing the battery may damage this computer. Replace only with the same or equivalent as recommended by Shuttle. Dispose of used batteries in accordance with the laws of your country.

更換電池方式錯誤可能會損壞本電腦以及引發爆炸、火災或其他危險。僅能依 Shuttle 的建議，以相同或同等的電池更換。請根據您在國家/地區的法律規定處理廢電池。

Das unkorrekte Austauschen der Batterie kann diesen Computer beschädigen. Ersetzen Sie die Batterie nur durch den gleichen Typ oder ein gleichwertiges, von Shuttle empfohlenes Modell. Entsorgen Sie gebrauchte Batterien gemäß den gesetzlichen Vorschriften in Ihrem Land.

Ne pas remplacer correctement la pile peut endommager l'ordinateur. Remplacez-la uniquement par un modèle identique ou un équivalent comme recommandé par Shuttle. Éliminez les piles usagées conformément à la législation en vigueur dans votre pays. La substitution incorrecte de la batterie peut nuire à cet équipement. Remplacez-la uniquement par une pile d'équivalent recommandée par Shuttle. Éliminez les piles usagées de manière conforme aux lois de votre pays.

バッテリーを間違えてセットすると、このコンピュータが損傷する原因となります。交換する際は、Shuttle が推奨するバッテリーと同じものまたは同等のものだけを使用するようにしてください。使用済みのバッテリーは、お住みの国の法律に従って処分してください。

Неправильная замена батареи может привести к повреждению компьютера. Батарея должна соответствовать стандарту производителя Shuttle или быть идентичной предыдущей. Утилизируйте использованные батареи в соответствии с законодательством вашей страны.

更換電池方式錯誤可能會損壞本電腦。僅能依 Shuttle 的建議，以相同或同等的電池更換。請根據您在國家/地區的法律規定處理廢電池。

All bundled parts, power cord included, shall not be used without this product. 電源ケーブル等、すべての付属品は本機以外ではご使用になれません。

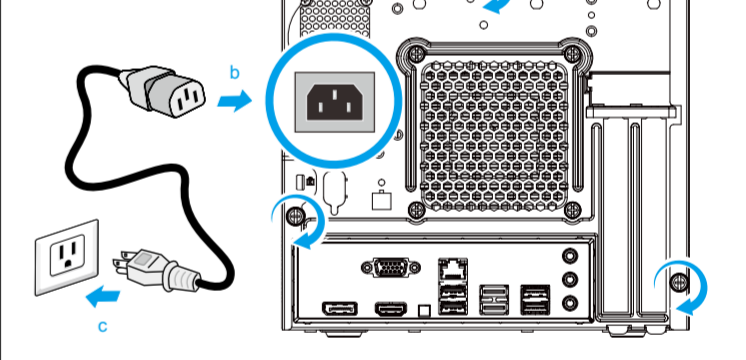
* The equipment was evaluated for use in a maximum air ambient temperature of 40 °C. 產品宣告最大適用環境溫度為 40 °C。

注意：仅适用于在非热带气候条件下安全使用。在热带气候条件下使用时，可能有安全隐患。注意：允许产品使用的最高环境温度为 40°C。

注意：仅适用于海拔 2000m 以下安全使用。在海拔 2000m 以上使用时，可能有安全隐患。

G. Complete

- Replace the cover and tighten the thumbscrews, then connect the power cord.
- Complete.



Please press the "Del" key while booting to enter BIOS. Here, please load the optimised BIOS settings.

Laser compliance statement: The optical disc drive in this PC is a laser product. The drive's classification label is located on the drive. CLASS 1 LASER PRODUCT CAUTION: INVISIBLE LASER RADIATION WHEN OPEN. AVOID EXPOSURE TO BEAM.

雷射符合性聲明：本主機中的光碟機屬於雷射產品。光碟機的等級標識貼於光碟機上。CLASS 1 雷射產品 注意：打開時會有不可見的雷射光放射，避免曝露於雷射光下。Auf dem Gerät ist ein Aufkleber mit der Klassifikation des Laufwerks zu finden. LASERKLASSE 1 PRODUKT ACHTUNG: UNSICHTBARE LASERSTRAHLUNG KANN BEIM ÖFFNEN DES GERÄTES AUSSTRITEN. VERMEIDEN SIE ES, DEN STRAHLEN AUSGESETZT ZU WERDEN.

Etat de conformité du laser: Le lecteur de disque optique dans ce PC est un produit à laser. Le label de classification du lecteur laser est situé sur le lecteur. PRODUIT LASER DE CLASSE 1 ATTENTION: RADIATIONS LASER A LOUVERTURE. EVITER L'EXPOSITION AU FAISCEAU LASER.

Declaración de cumplimiento relacionada con el láser. La unidad de disco óptica de esta servidor es un producto láser. La etiqueta de clasificación de la unidad se encuentra situada en dicha unidad. PRODUCTO LASER DE CLASE 1 PRECAUCIÓN: RADIACIÓN LASER INVISIBLE CUANDO SE ABRE. NO SE EXPONGA AL HAZ.

レーザー準拠声明：このサーバーの光ディスクドライブは、レーザー製品です。ドライブの分類シールは、ドライブに貼ってあります。クラス1レーザー製品 注意：開けると目に見えないレーザー照射にさらされます。ビームへの曝露を避けてください。

Декларация соответствия лазера: Оптический привод на этом ПК представляет собой лазерный продукт. Маркировка диска находится на диске. ЛАЗЕРНЫЙ ПРОДУКТ КЛАССА 1 ПРЕДУПРЕЖДЕНИЕ: НЕВИДИМОЕ ЛАЗЕРНОЕ ИЗЛУЧЕНИЕ, КОГДА ОТКРЫТО. Избегайте воздействия радиации.雷射符合性聲明：本主機中的光碟機屬於雷射產品。光碟機的等級標識貼於光碟機上。CLASS 1 雷射產品 注意：打開時會有不可見的雷射光放射，避免曝露於雷射光下。

WARNING THIS PRODUCT CONTAINS A BUTTON BATTERY

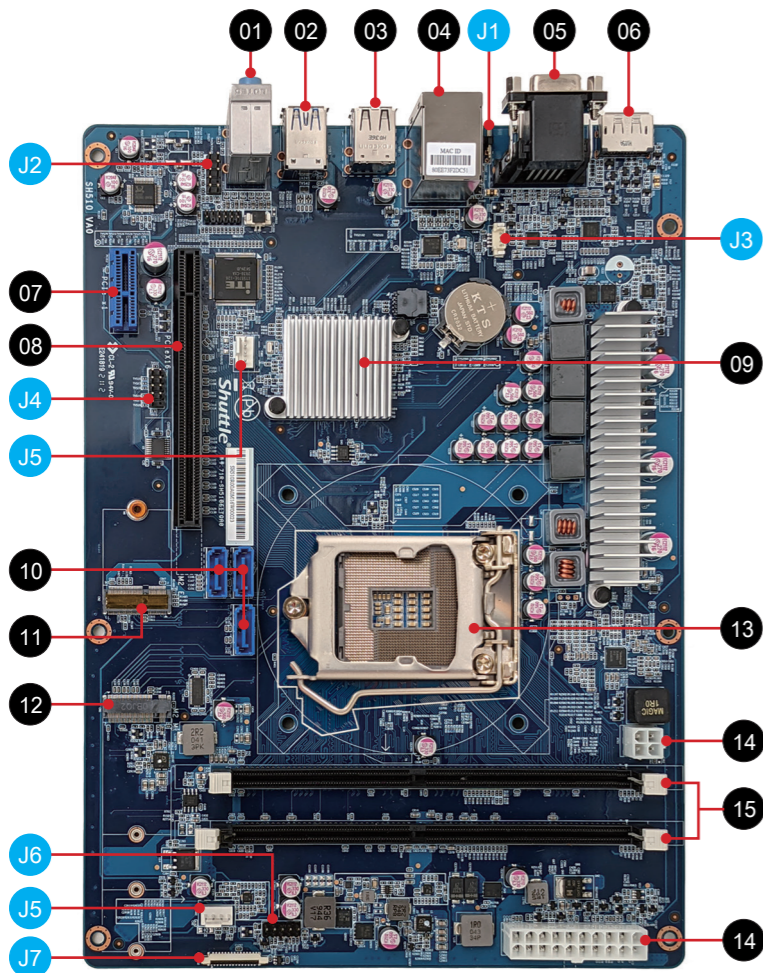
If swallowed, a lithium button battery can cause severe or fatal injuries within 2 hours. Keep batteries out of reach of children. If you think batteries may have been swallowed or placed inside any part of the body, seek immediate medical attention.

1. The statement "remove and immediately recycle or dispose of used batteries according to local regulations and keep away from children. Do NOT dispose of batteries in household trash or incinerate."
 (a) Remove and immediately recycle or dispose of used batteries according to local regulations and keep away from children.
 (b) Do not mix old and new batteries, different brands or types of batteries, such as alkaline, carbon-zinc, or rechargeable batteries.
 (c) Remove and immediately recycle or dispose of batteries from equipment not used for an extended period of time according to local regulations.
 (d) Always completely secure the battery compartment. If the battery compartment does not close securely, stop using the product, remove the batteries, and keep them away from children.

2. This product contains a button Battery/coin cell batteries
 (a) Ensure the batteries are installed correctly according to polarity (+ and -).
 (b) Do not mix old and new batteries, different brands or types of batteries, such as alkaline, carbon-zinc, or rechargeable batteries.
 (c) Remove and immediately recycle or dispose of batteries from equipment not used for an extended period of time according to local regulations.
 (d) Always completely secure the battery compartment. If the battery compartment does not close securely, stop using the product, remove the batteries, and keep them away from children.

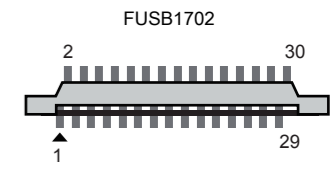
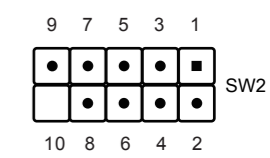
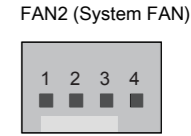
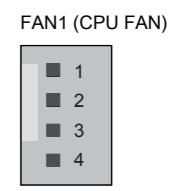
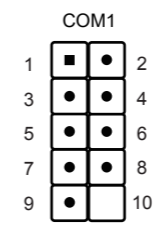
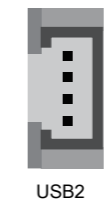
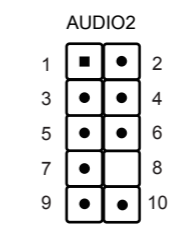
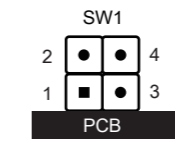
This device complies with Part 15 of the FCC Rules. Operation is subject to the following two conditions: (1) this device may not cause harmful interference, and (2) this device must accept any interference received, including interference that may cause undesired operation.

This device meets the requirements for the EU conformity in accordance to the currently valid EU directives. Dieses Produkt erfüllt die Anforderungen für die EU-Konformität entsprechend der aktuell geltenden EU-Richtlinien. Ce produit répond aux exigences de la conformité UE suivant les directives européennes actuellement en vigueur.



- 01. Line-in port
音源輸入埠
Audio Line-In Eingang
Port d'entrée ligne
Entrada de audio
ラインインポート
Линейный вход
音源輸入端口
- Line-out port
音源輸出埠
Audio Line-Out Ausgang
Sortie audio
Salida de línea de audio
ラインアウトポート
Аудио выход
音源輸出端口
- Microphone jack
麥克風輸入埠
Mikrofon-Anschluss
Entrée Micro
Entrada del micrófono
マイクインポート
Гнездо для микрофона
麦克风端口
- 02. USB 3.2 Gen 1 ports
USB 3.2 Gen 1 連接埠
USB 3.2 Gen 1-Anschlüsse
Prises USB 3.2 Gen 1
Puertos USB 3.2 Gen 1
USB 3.2 Gen 1 端口
USB 3.2 Gen 1 端口
- 03. USB 2.0 ports
USB 2.0 連接埠
USB 2.0-Anschlüsse
Prises USB 2.0
Puertos USB 2.0
USB 2.0 端口
USB 2.0 端口
- 04. LAN / USB 2.0 ports
網路連接埠 / USB 2.0 連接埠
Netzwerk / USB 2.0-Anschlüsse
Prises LAN / USB 2.0
Puertos LAN /USB 2.0
LAN / USB 2.0 端口
Сетевые LAN / USB 2.0-порты
LAN / USB 2.0 端口
- 05. VGA / HDMI 2.0 port
VGA / HDMI 2.0 連接埠
VGA / HDMI 2.0-Anschluss
Prise VGA / HDMI 2.0
Puerto VGA / HDMI 2.0
VGA / HDMI 2.0 端口
VGA / HDMI 2.0 端口
- 06. DisplayPort
DisplayPort 連接埠
DisplayPort
Prise DisplayPort
DisplayPort
ディスプレイポート
DisplayPort
DisplayPort 端口
- 07. PCIe x1 slot
PCIe x1 插槽
PCIe x1 Steckplatz
Emplacement PCIe x1
PCIe x1 Ranura
PCIe x1 スロット
Слоты PCIe x1
PCIe x1 插槽
- 08. PCIe x16 slot
PCIe x16 插槽
PCIe x16 Steckplatz
Emplacement PCIe x16
PCIe x16 Ranura
PCIe x16 スロット
Слоты PCIe x16
PCIe x16 插槽
- 09. Intel® H510 chipset
Intel® H510 晶片組
Intel® H510 Chipsatz
Chipset Intel® H510
Intel® H510 Conjunto de chips
Intel® H510 Чипсет
Набор микросхем Intel® H510
Intel® H510 晶片組
- 10. SATA 3.0 6Gb/s connector
SATA 3.0 6Gb/s 插槽
SATA 3.0-Anschlüsse (6 Gb/s)
Connecteurs SATA 3.0 6Gb/s
Base de conexiones SATA 3.0 6Gb/s
SATA 3.0 6Gb/s 連接埠
Разъем SATA 3.0 6 Гбит/с
SATA 3.0 6Gb/s 接口
- 11. M.2 2230 E key slot
M.2 2230 E key 插槽
M.2-2230 (E) Steckplatz
Emplacement M.2 2230 E
Ranura M.2 2230 E
M.2 2230 E 晶片插槽
Слот M.2 2230 E ключ
M.2 2230 E key 插槽
- 12. M.2 2242/2260/2280 M key slot
M.2 2242/2260/2280 M key 插槽
M.2-2242/2260/2280 (M) Steckplatz
Emplacement M.2 2242/2260/2280 M
Ranura M.2 2242/2260/2280 M
M.2 2242/2260/2280 M 晶片插槽
Слот M.2 2242/2260/2280 M ключ
M.2 2242/2260/2280 M key 插槽
- 13. Processor socket LGA 1200
LGA 1200 處理器插槽
Sockel für LGA 1200-CPU's
Socket Processeur LGA 1200
Zócalo LGA 1200 de CPU
Процессорный LGA 1200
Разъем процессора LGA 1200
LGA 1200 处理器插槽
- 14. ATX power connector
電源連接埠
ATX-Netzteil-Anschluss
Prise d'alimentation ATX
Conector de alimentación ATX
ATX電源連接埠
ATX 電源接口
ATX 電源插座
- 15. 2x 288-pin DDR4 DIMM slot
2x 288-pin DDR4 DIMM 插槽
2x 288-pin DDR4 DIMM Steckplatz
2x emplacements 288-pin pour DDR4 DIMM
2 ranuras DIMM DDR4 de 288 contactos Slots
2x 288-pin DDR4 DIMM 晶片插槽
2x 288 контактный Слот DDR4 DIMM
2x 288-pin DDR4 DIMM 插槽

- J1 Clear CMOS & power button & +5V
清除 CMOS & 電源按鈕 & +5V
Clear CMOS & Power Button & +5V
Reset CMOS & Bouton d'alimentation & +5V
Clear CMOS & Botón de encendido & +5V
CMOS クリア & 電源スイッチ & +5V
Сброс CMOS, внешняя кнопка питания, +5 V
清除 CMOS & 電源按鈕 & +5V
- J2 Front audio header
前面板音效插座
Audio-Anschluss für Vorderseite
Connecteur audio pour façade
Conector de audio del panel frontal
前面オーディオヘッド
Передний Аудио разъем
前面板音效插座
- J3 USB 2.0 cable connector
USB 2.0 排線插座
Anschluss für USB 2.0-Kabel
Connecteur câble USB 2.0
Conexión para cable USB 2.0
USB 2.0 ケーブルコネクタ
Разъем USB 2.0- кабеля
USB 2.0 扁平電纜插座
- J4 COM header
COM 插座
COM-Anschluss
Connecteur COM
Base de conexiones COM
COM 連接埠
Разъем COM
COM 插座
- J5 Fan connector
風扇連接埠
Lüfteranschluss
Connecteur ventilateur
Conector del ventilador
FAN 連接埠
Разъем вентилятора
風扇插座
- J6 Connector for front buttons/LEDs
電源按鈕 / LED 插座
Anschluss für vordere Buttons/LEDs
Connexion pour les boutons en façade
Conexión para pulsadores frontales/LEDs
フロントボタン LED 用コネクタ
Разъем для кнопок / LED- индикаторов передней панели
電源按鈕 / LED 插座
- J7 Front USB 3.0 header
前置 USB 3.0 插座
USB-3.0-Anschluss (für vorne)
Port USB 3.0 (façade)
Conexión delantera USB 3.0
フロント USB 3.0 用ピンヘッド
Разъем USB 3.0 порта (передняя панель)
前置 USB 3.0 插座



- 1=RTC Reset
2=VCC_AUX
(Power source 5.0V/0.5A)(Disable in Eup mode)
3=GND
4=Power SW
- 1=Microphone input L
2=Audio GND
3=Microphone input R
4=Front panel daughter board detection (Low active)
5=Headphone out R
6=Microphone audio jack detect
7=Front panel audio jack sense
8=NULL
9=Headphone out L
10=Headphone audio jack detect
- 1=GND (Power Ground)
2=Data+ (USB 2.0 Data pin)
3=Data- (USB 2.0 Data pin)
4=VBUS (USB power 5.0V/0.5A)
- 1=DCD
2=RXD
3=TXD
4=DTR
5=GND
6=DSR
7=RTS
8=CTS
9=XRI1
10=NULL
- 1=HDD LED P
2=Power LED P
3=HDD LED N
4=Power LED N
5=System reset (Low active)
6=Power switch (Low active)
7=GND
8=GND
9=NA
10=NULL
- 1=3VSB (Power source 3.3V)
2=5V_DAU (Power Source 5.0V)
3=5V_DAU (Power Source 5.0V)
4=5V_DAU (Power Source 5.0V)
5=USB Power ON (Low active)
6=GND
7=USB3.2 Gen1 port 1 RX_N
8=USB3.2 Gen1 port 1 RX_P
9=GND
10=USB3.2 Gen1 port 1 TX_N
11=USB3.2 Gen1 port 1 TX_P
12=GND
13=USB2.0 Port 1 Data N
14=USB2.0 Port 1 Data P
15=GND
16=GND
17=USB2.0 Port 2 Data P
18=USB2.0 Port 2 Data N
19=GND
20=USB3.2 Gen1 port 2 TX_P
21=USB3.2 Gen1 port 2 TX_N
22=GND
23=USB3.2 Gen1 port 2 RX_P
24=USB3.2 Gen1 port 2 RX_N
25=GND
26=USB Power ON (Low active)
27=5V_DAU (Power Source 5.0V)
28=5V_DAU (Power Source 5.0V)
29=5V_DAU (Power Source 5.0V)
30=3VSB (Power source 3.3V)