

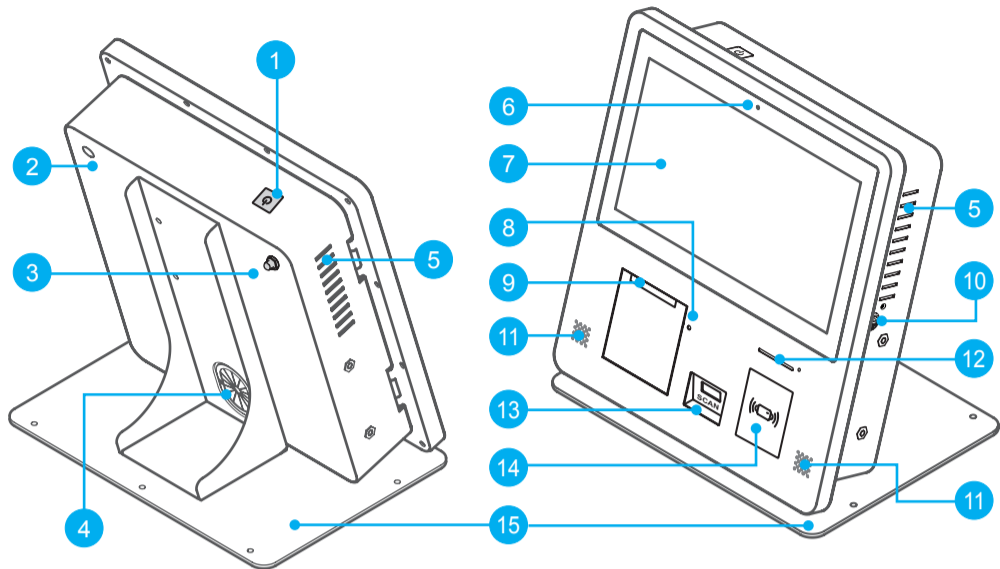
# Kiosk K15 Series 互動式資訊服務站

## Quick Start Guide 快速啓用指南



Copyright © 2021, Shuttle Corporation. All Rights Reserved

### Product Overview 產品外觀

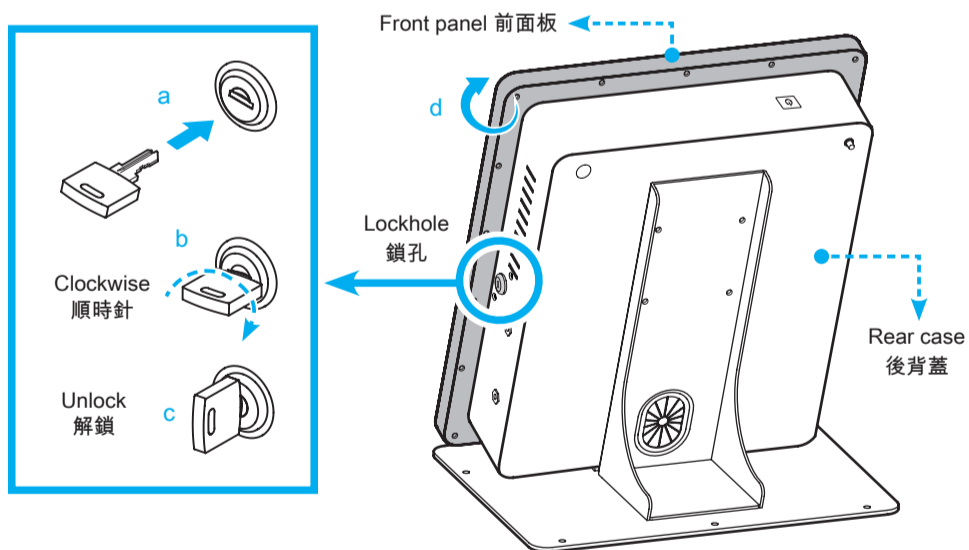


- |  |                                     |   |
|--|-------------------------------------|---|
| 1. Power switch<br>電源開關按鈕                    | 6. Webcam<br>網路攝影機                  | 11. Speakers<br>揚聲器                       |
| 2. Rear case<br>後背蓋                          | 7. 15" Touch display<br>15" 觸控顯示器   | 12. IC card reader<br>IC 晶片讀卡機            |
| 3. Connector for wifi antennas<br>Wifi 天線連接埠 | 8. Release button<br>釋放按鈕           | 13. Barcode scanner<br>條碼掃描器              |
| 4. Cable hole<br>集線孔                         | 9. Receipt printer<br>明細印表機         | 14. NFC RFID reader<br>感應讀卡機              |
| 5. Thermal vent<br>散熱孔                       | 10. Front panel's lockhole<br>前面板鎖孔 | 15. Counter mount (optional)<br>台面安裝 (選配) |

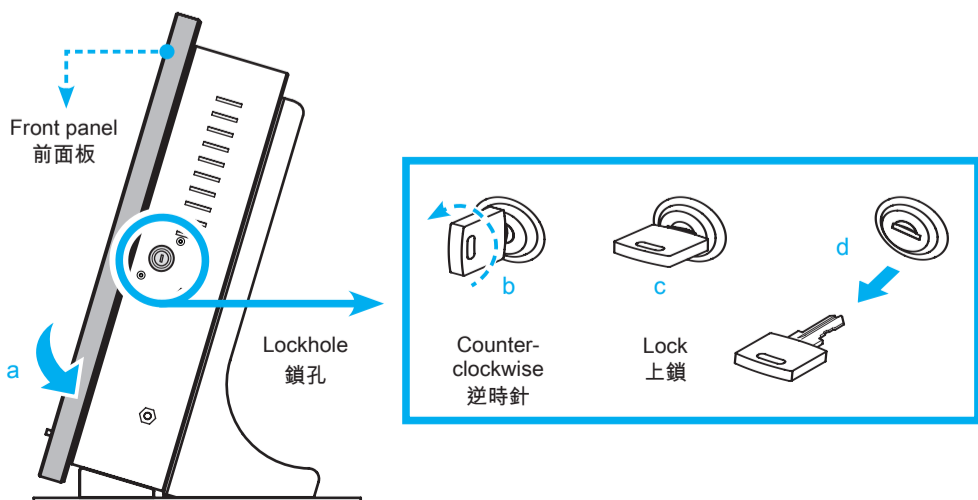
### Opening / Closing the Kiosk 打開 / 關閉 Kiosk

**!** For safety reasons, please ensure that the power cord is disconnected before opening the case. Do not attempt to open the system unless by authorized qualified personnel.  
基於安全考量, 打開機箱時, 請先拔除電源線。切勿自行打開機箱, 必需經授權的專業人員方能打開機箱。

1. Insert the key into the lockhole at the rear case and turn it clockwise to open the front panel.  
將鑰匙插入機箱後背蓋上的鎖孔, 然後順時針旋轉以打開前面板。

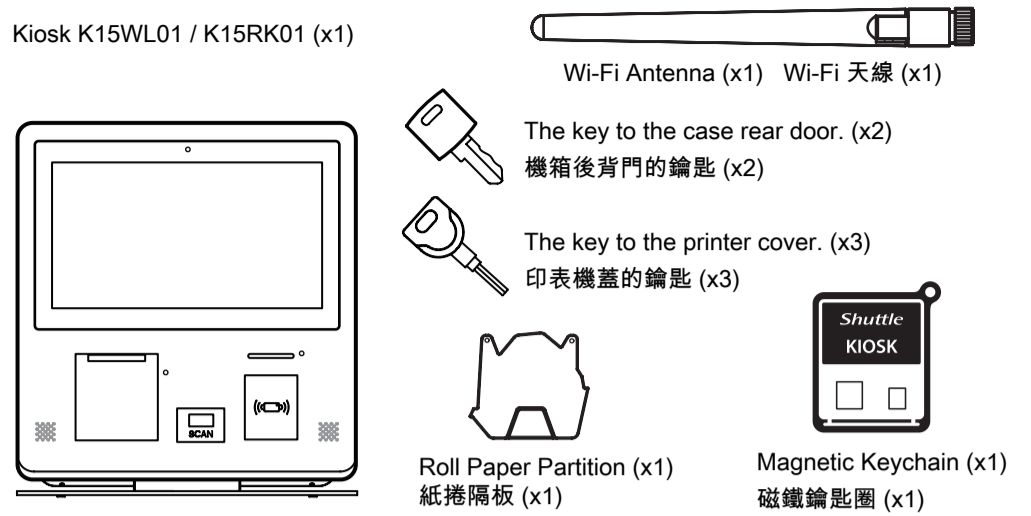


2. Close the front panel in reverse order and remove the key.  
關閉前面板並用鑰匙以反方向上鎖, 並拔下鑰匙。



### Package Contents 包裝內容物

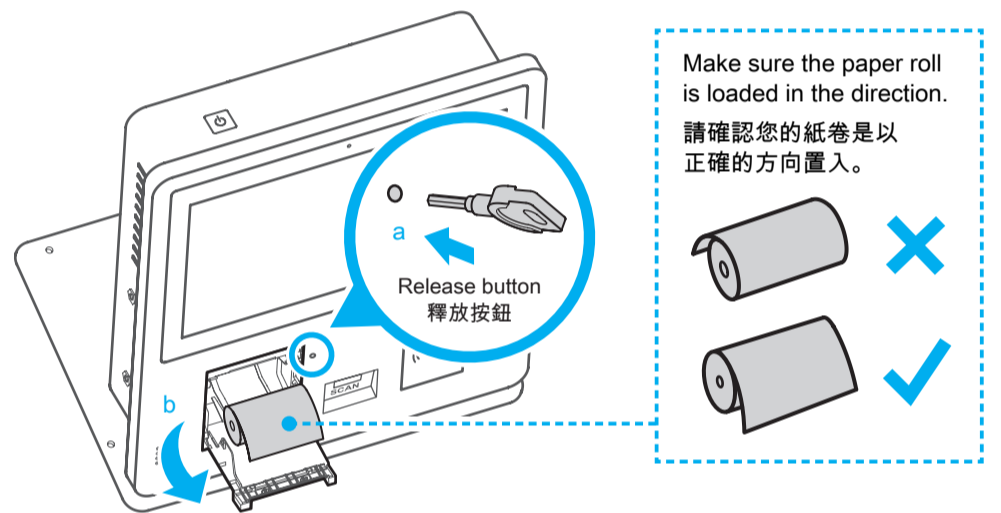
Kiosk K15WL01 / K15RK01 (x1)



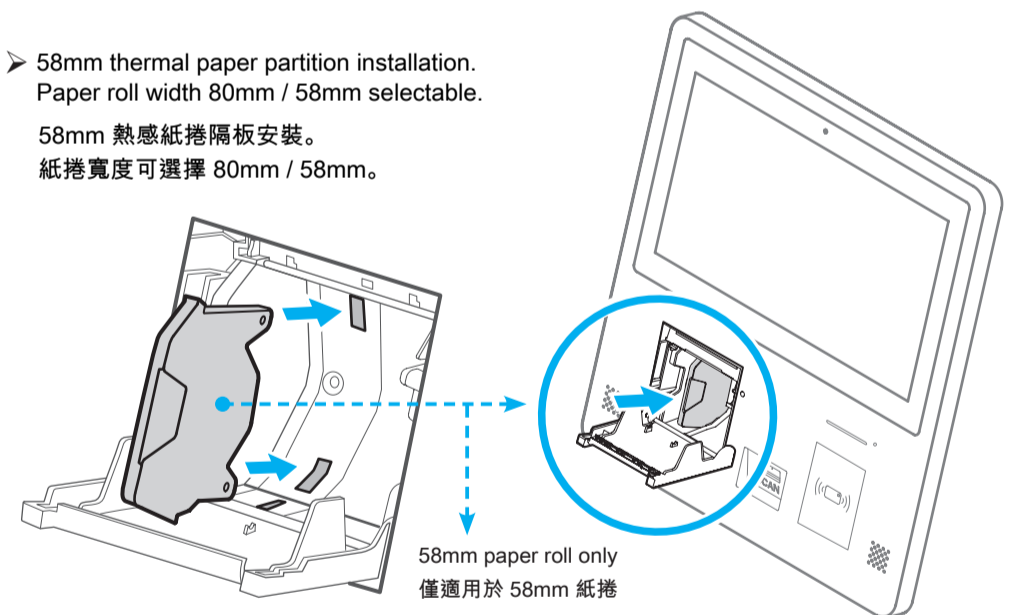
**i** The product's colour and specifications may vary from the actually shipping product. Should any accessories be required, please contact Shuttle or your relevant supplier.  
出貨機種顏色及規格配備, 以實際出貨機種為準。如果需要任何配件, 請直接洽詢 Shuttle 或當地供應商。

### Changing the Thermal Roll Paper 更換熱感卷紙

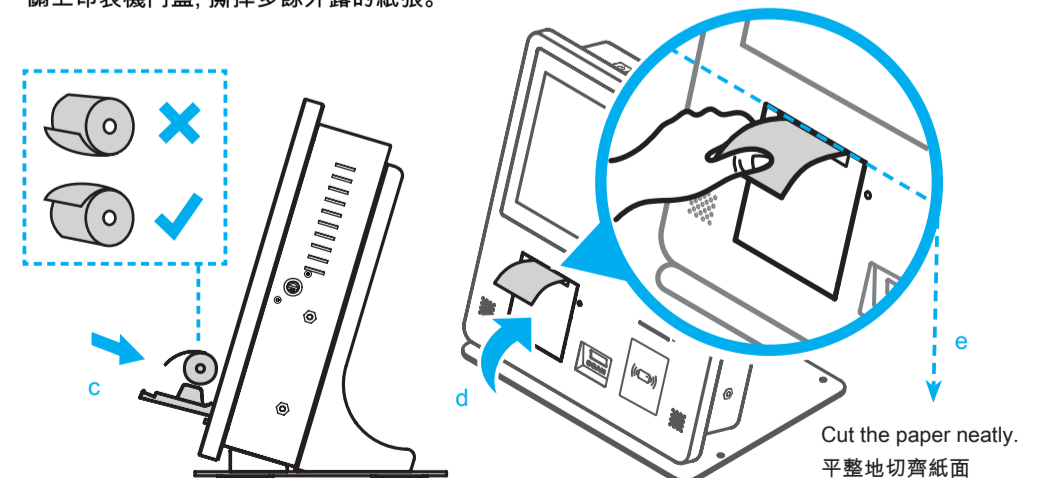
1. As shown, use the key to push the release button to open the printer cover.  
如圖所示, 使用鑰匙按下釋放按鈕, 以打開印表機門蓋。
2. Remove the used paper roll from the paper tray and load the new paper roll. Make sure that a few inches of the paper is extended over the cover edge.  
移除紙匣上剩餘的紙捲並裝入新的紙捲。請預留幾吋的紙張, 讓它延伸出來到上蓋的邊緣。



- 58mm thermal paper partition installation. Paper roll width 80mm / 58mm selectable.  
58mm 熱感紙捲隔板安裝。紙捲寬度可選擇 80mm / 58mm。



3. Close the printer cover. Tear the excess paper across the tear bar.  
關上印表機門蓋, 撕掉多餘外露的紙張。

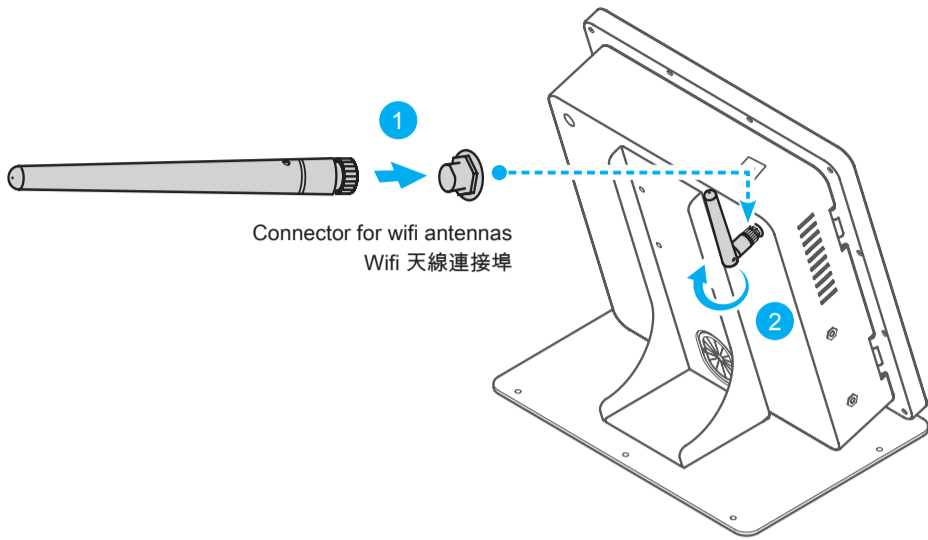


**!** Do not touch the print head thermal elements. The print head becomes very hot just after printing and is very dangerous. Be sure to allow the print head to cool down (after printing) before cleaning it. Also, be sure to turn off the printer power before cleaning the print head.  
請勿觸摸列印頭的熱感元件。在經過列印之後, 列印頭變得非常的熱且十分危險。在您要進行清潔之前, 請確認給它一段時間讓它溫度降下來。另外, 在進行清潔之前也一定要確認將印表機的電源關閉。

## Wifi Antennas Installation (optional) Wifi 天線安裝 (選配)

Take the antennas out of the accessory box. Screw the included antennas on the appropriate connector at the rear case. Make sure it is aligned vertically or horizontally to achieve the best possible signal reception.

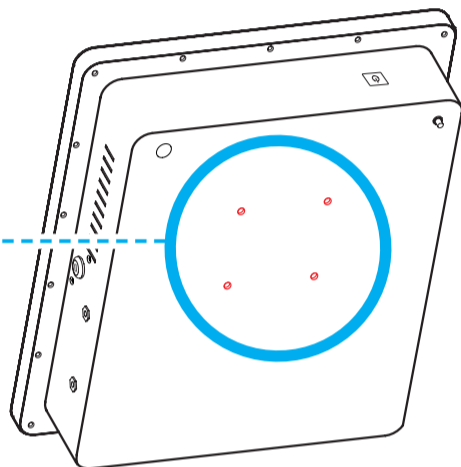
從配件盒中取出天線。將隨附的天線擰緊到機箱後背蓋上相應的連接埠上。確保它對準了垂直或水平方向，以達到最佳的信號接收。



## VESA mounting to the wall (optional) 吊掛於牆上 (選配)

The standard VESA openings show where an arm / wall mount kit which is available separately can be attached.

符合標準 VESA 規格，可以將您所購買的 VESA 壁 / 臂支架輕鬆安裝到 VESA 標準螺孔中。



**!** The K15 series can be wall-mounted using a VESA compatible 100 mm x 100 mm wall / arm bracket. The maximum load capacity is 25 kg and mounting suitable in heights of ≤ 2 m only.

K15 series 可使用與 VESA 兼容的 100 mm x 100 mm 壁 / 臂支架進行壁掛式安裝。最大負載能力為 25 kg，僅適合在 ≤ 2 m 的高度安裝。

Le Série K15 peut être fixé au mur ou à un bras à l'aide d'un support VESA 100x100 mm. Le support doit être conçu pour une charge d'au moins 25 kg et ne doit pas être situé à plus de 2 m de hauteur.

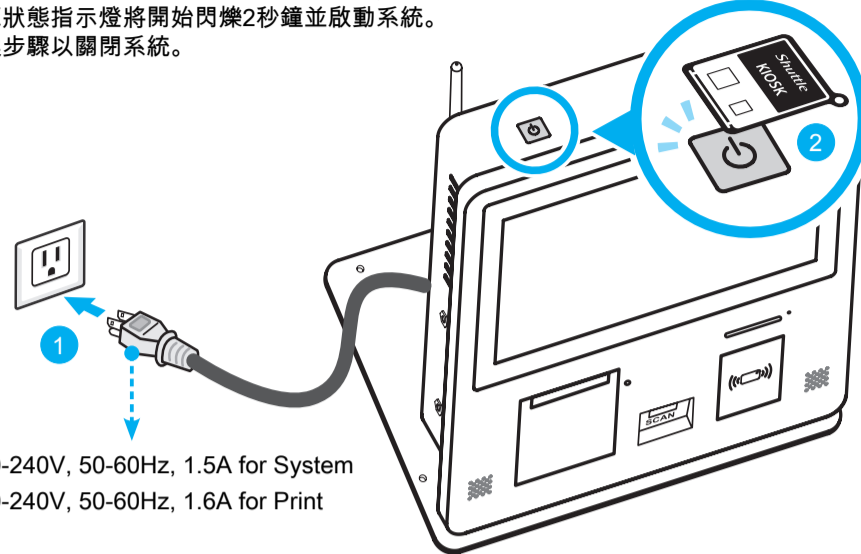
## Powering on the system 開啟系統電源

1. Connect the two power cords to a wall outlet.

將兩條電源線連接到牆上插座。

2. Place the magnetic keychain against the power switch for 1 seconds and remove it, then the power status LED will start to blink for 2 seconds and turn on the system. Repeat the steps above to turn off the system.

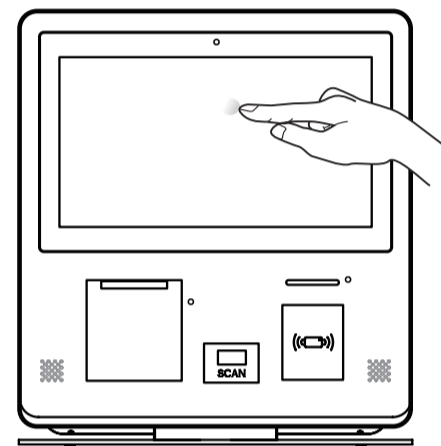
將磁鐵鑰匙圈靠近電源開關上1秒鐘並移開它，然後電源狀態指示燈將開始閃爍2秒鐘並啟動系統。重複上述步驟以關閉系統。



## How to use the Touch Panel 如何使用觸控螢幕

The touch of your finger replaces the input devices and is all you need to operate the Kiosk.

啟動 Kiosk 之後，只需用手指取代一般的滑鼠游標輕觸螢幕使用即可。



**!** Cleaning the screen: Turn off the system and disconnect all cables. Use a cleaning cloth which is soft, lint-free and a little damp to gently wipe the screen surface. Do not spray liquids directly onto the device.

清潔螢幕：關閉系統並且將所有的電源變壓器拔除。請使用微濕的清潔布或柔軟且不起絨毛的布料輕輕地擦拭螢幕的表面。不要直接地噴灑液體在螢幕的表面。

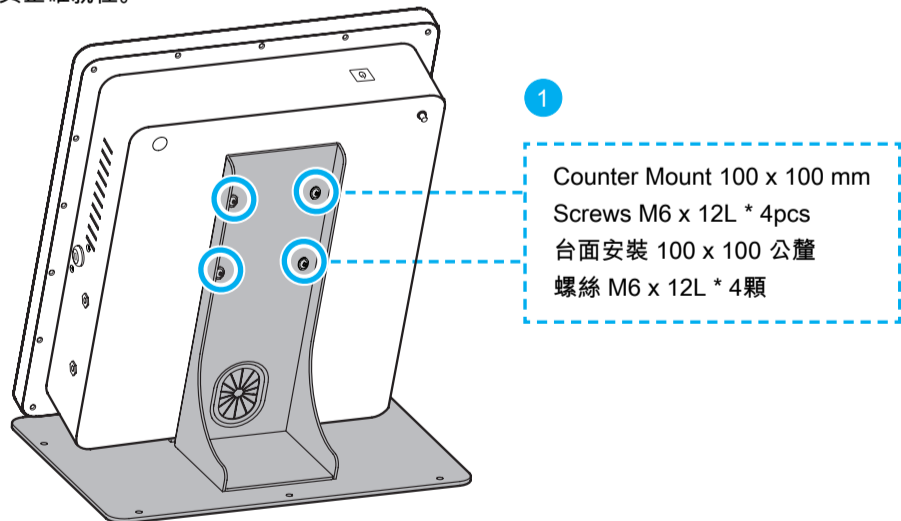
## Counter mount and Handle Installation (optional) 台面和把手安裝 (選配)

1. As shown, install the counter mount and secure with the four screws.

如圖所示，安裝台面，並鎖上四顆螺絲固定。

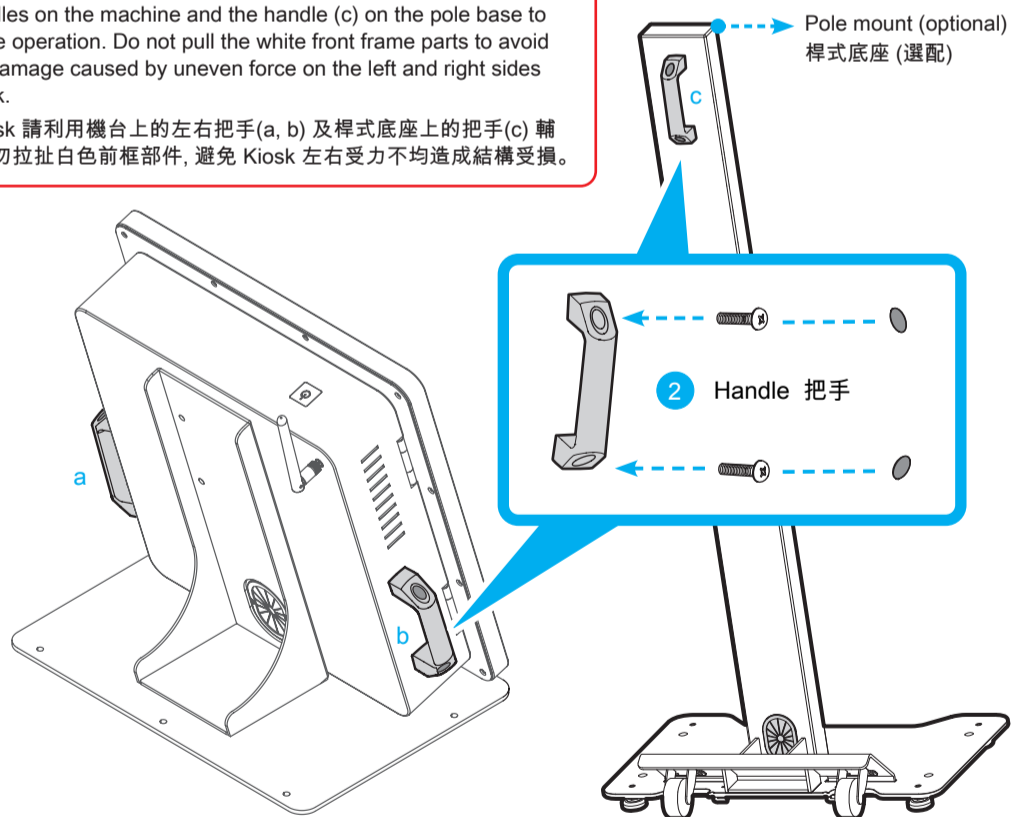
2. As shown, install the left and right (a, b) handles on the both sides of rear case and secure with the four screws. Gently push the four rubber cover into the four screw holes until it properly sits in place.

如圖所示，將左右把手 (a, b) 安裝在機箱後背蓋的兩側，並鎖上四顆螺絲固定。輕壓四個橡膠蓋於四個螺絲孔中，直至其正確就位。



**!** If you want to move the Kiosk, please use the left and right (a, b) handles on the machine and the handle (c) on the pole base to assist in the operation. Do not pull the white front frame parts to avoid structural damage caused by uneven force on the left and right sides of the Kiosk.

欲移動 Kiosk 請利用機台上的左右把手 (a, b) 及桿式底座上的把手 (c) 輔助操作，請勿拉扯白色前框部件，避免 Kiosk 左右受力不均造成結構受損。



**!** Incorrectly replacing the battery may damage this computer. Replace only with the same or equivalent as recommended by Shuttle. Dispose of used batteries according to the manufacturer's instructions. 更換電池方式錯誤可能會損壞本電腦以及引發爆炸、火災或其他危險。僅能依 Shuttle 的建議，以相同或同等的電池更換。請依照製造商的使用說明處理廢電池。

Warning: This is Class A product. In a domestic environment this product may cause radio interference in which case the user may be required to take adequate measures.

警語：這是甲類產品。在家庭環境中，本產品可能會造成無線電干擾，在這種情況下，用戶可能需要採取適當的措施。

Kiosk is recommended to be used in an indoor environment to avoid exposure to a humid environment. If it is not used for a long time, it is recommended to be moisture-proof to avoid affecting the life of the appliance; if it is in a humid environment, it is normal to produce a little fog in front of the screen. It can be automatically eliminated after a period of normal use.

Kiosk 建議使用於室內環境，避免暴露在潮濕的環境下，長時間不使用的情形下，建議做好防潮避免影響電器壽命；若處於潮濕的環境下，開機後在螢幕前方產生一些微霧氣為正常現象，在正常使用一段時間後即可自動消除。

- for PLUGGABLE EQUIPMENT, the socket-outlet shall be installed near the equipment and shall be easily accessible. 對插接式之設備，插座必須接近安裝之地點而且是易於觸及的。

- That all power sources shall be disconnected before servicing to avoid shock hazard. 在維修之前應斷開所有電源，以避免電擊危險。

The unit can be operated at an ambient temperature of max. 35°C (95°F).

Do not expose it to temperature below 5°C (41°F) or above 35°C (95°F).

本產品最高操作溫度為 35°C (95°F)。請勿在低於 5°C (41°F) 或高於 35°C (95°F) 的環境中使用本產品。

1. 警語 (於產品本體、說明書及外包裝標示): 使用過度恐傷害視力。

2. 注意事項 (於產品說明書及外包裝標示): (1) 使用30分鐘請休息10分鐘。

(2) 2歲以下幼兒不看螢幕，兩歲以上每天看螢幕不要超過1小時。

➤ Stability of equipment 設備的穩定性

- Do not place the product in an unstable location. 勿置放產品於不穩固之位置。

- Arrange the wires and cables connected to the product to prevent tripping, pulling or entanglement.

將連接至產品之電線及電纜加以整理，使其不至發生絆倒、拉扯或纏繞。

- Make sure the product does not hang over the edge of the supporting furniture. 確保產品不會懸垂於支撐傢俱之邊緣。

- Do not place the product on supporting furniture higher than 1 meter. 勿置放產品在高於1公尺之支撐傢俱上。

- Do not place objects that attract children to climb, such as toys. 勿放置吸引兒童攀爬之物，如：玩具。